

IDROFOGLIA®

G4 100-420

4" OD x 1312 ft Komet Twin 140 Ultra 130-280 GPM



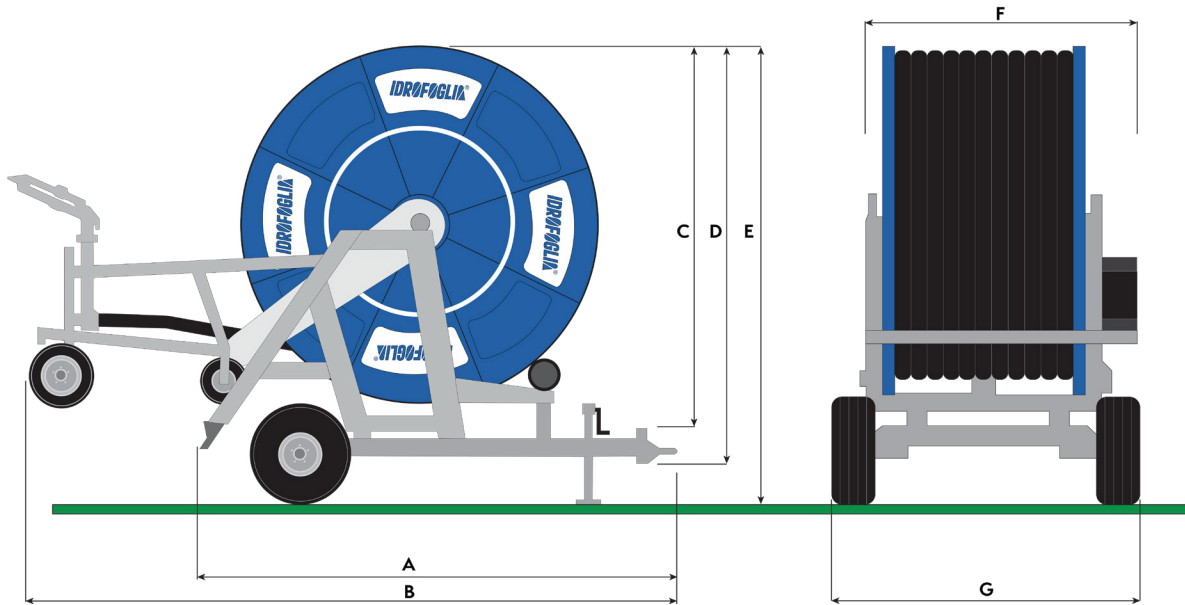
Product Page

FEATURES:

- 1312 ft – Impact resistant MPDE hose
- Galvanized Frame
- 3-wheel sprinkler cart with adjustable track
- High efficiency turbine drive
- 4-Speed gearbox
- Automatic retraction stop
- Auxiliary PTO powered retraction system
- Automatic retraction speed compensation
- Komet Twin 140 Ultra sprinkler
- 360 Degree rotating turn table
- Hydraulic stabilizer legs and sprinkler cart
- Chain driven hose guide
- Optional IdroMop Computer control



Optional Computer Control



A	12.2'
B	18'
C	8.8'
D	9.5'
E	10.7'
F	6.5'
G	7.2'



Nozzle Size	Inlet	Sprinkler	Flow	Radius	Diameter	Spacing (8.5%)	Speed (feet/hour)													
							16	33	49	66	82	98	131	164	197	230	262	295	328	
							Rewind Time (hours)													
							25.6	12.8	8.5	6.4	5.1	4.3	3.2	2.6	2.1	1.8	1.6	1.4	1.3	
mm/in	PSI	PSI	GPM	Feet	Feet	Feet	Precipitation rate in inches													
22 0.87	69	44	138	121	243	206	3.92	1.96	1.31	0.98	0.78	0.65	0.49	0.39	0.33	0.28	0.24	0.22	0.20	
	90	59	159	135	269	229	4.09	2.05	1.37	1.02	0.82	0.68	0.51	0.41	0.34	0.29	0.26	0.23	0.20	
	109	74	178	148	295	251	4.17	2.09	1.39	1.04	0.83	0.70	0.52	0.42	0.35	0.30	0.26	0.23	0.21	
24 0.94	75	44	164	128	256	218	4.44	2.22	1.48	1.11	0.89	0.74	0.56	0.44	0.37	0.32	0.28	0.25	0.22	
	97	59	190	144	289	245	4.55	2.28	1.52	1.14	0.91	0.76	0.57	0.46	0.38	0.33	0.28	0.25	0.23	
	119	74	213	157	315	268	4.67	2.33	1.56	1.17	0.93	0.78	0.58	0.47	0.39	0.33	0.29	0.26	0.23	
26 1.02	84	44	193	135	269	229	4.96	2.48	1.65	1.24	0.99	0.83	0.62	0.50	0.41	0.35	0.31	0.28	0.25	
	109	59	223	151	302	257	5.11	2.56	1.70	1.28	1.02	0.85	0.64	0.51	0.43	0.37	0.32	0.28	0.26	
	132	74	250	167	335	284	5.15	2.58	1.72	1.29	1.03	0.86	0.65	0.52	0.43	0.37	0.32	0.29	0.26	
28 1.10	94	44	224	144	289	245	5.35	2.68	1.78	1.34	1.07	0.89	0.67	0.54	0.44	0.38	0.33	0.30	0.27	
	121	59	259	157	315	268	5.68	2.84	1.89	1.42	1.14	0.94	0.71	0.57	0.47	0.41	0.35	0.31	0.28	
	148	74	289	171	341	290	5.86	2.93	1.95	1.46	1.17	0.98	0.73	0.59	0.49	0.42	0.37	0.33	0.29	