


IDROFUGLIA®

G4 90-380

3.5" OD x 1246 ft

Komet Twin 140 Ultra
90-230 GPM



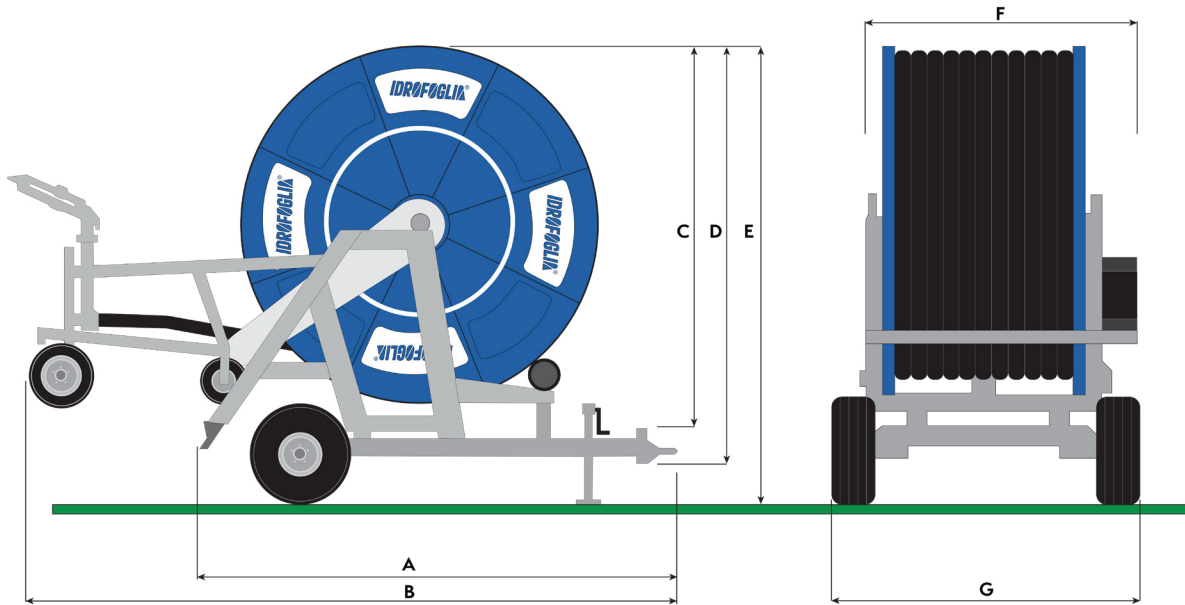
 Product Page

FEATURES:

- 1246 ft – Impact resistant MPDE hose
- Galvanized Frame
- 3-wheel sprinkler cart with adjustable track
- High efficiency turbine drive
- 4-Speed gearbox
- Automatic retraction stop
- Auxiliary PTO powered retraction system
- Automatic retraction speed compensation
- Komet Twin 140 Ultra sprinkler
- 360 Degree rotating turn table
- Hydraulic stabilizer legs and sprinkler cart
- Chain driven hose guide
- Optional IdroMop Computer control



Optional Computer Control



A	12.2'
B	18'
C	8.4'
D	9.2'
E	10.3'
F	6.5'
G	7.2'



Nozzle Size	Inlet	Sprinkler	Flow	Radius	Diameter	Spacing (85%)	Speed (feet/hour)												
							16	33	49	66	82	98	131	164	197	230	262	295	328
							Rewind Time (hours)												
mm/in	PSI	PSI	GPM	Feet	Feet	Feet	23.2	11.6	7.7	5.8	4.6	3.9	2.9	2.3	1.9	1.7	1.4	1.3	1.2
20 0.79	74	44	121	108	217	184	3.87	1.94	1.29	0.97	0.78	0.65	0.48	0.39	0.32	0.28	0.24	0.22	0.19
	94	59	140	121	243	206	4.00	2.00	1.33	1.00	0.80	0.67	0.50	0.40	0.33	0.28	0.25	0.22	0.20
	115	74	157	135	269	229	4.03	2.01	1.34	1.01	0.81	0.67	0.50	0.40	0.33	0.29	0.25	0.22	0.20
22 0.87	78	44	138	121	243	206	3.92	1.96	1.31	0.98	0.78	0.65	0.49	0.39	0.33	0.28	0.24	0.22	0.20
	101	59	159	135	269	229	4.09	2.05	1.37	1.02	0.82	0.68	0.51	0.41	0.34	0.29	0.26	0.23	0.20
	123	74	178	148	295	251	4.17	2.09	1.39	1.04	0.83	0.70	0.52	0.42	0.35	0.30	0.26	0.23	0.21
24 0.94	88	44	164	128	256	218	4.44	2.22	1.48	1.11	0.89	0.74	0.56	0.44	0.37	0.32	0.28	0.25	0.22
	115	59	190	144	289	245	4.55	2.28	1.52	1.14	0.91	0.76	0.57	0.46	0.38	0.33	0.28	0.25	0.23
	140	74	213	157	315	268	4.67	2.33	1.56	1.17	0.93	0.78	0.58	0.47	0.39	0.33	0.29	0.26	0.23
26 1.02	101	44	193	135	269	229	4.96	2.48	1.65	1.24	0.99	0.83	0.62	0.50	0.41	0.35	0.31	0.28	0.25
	131	59	223	151	302	257	5.11	2.56	1.70	1.28	1.02	0.85	0.64	0.51	0.43	0.37	0.32	0.28	0.26
	160	74	206	167	335	284	5.15	2.58	1.72	1.29	1.03	0.86	0.65	0.52	0.43	0.37	0.32	0.29	0.26