



STRUTTURA

STRUCTURE

STRUCTURE

STRUKTUR

J1



Struttura

J1

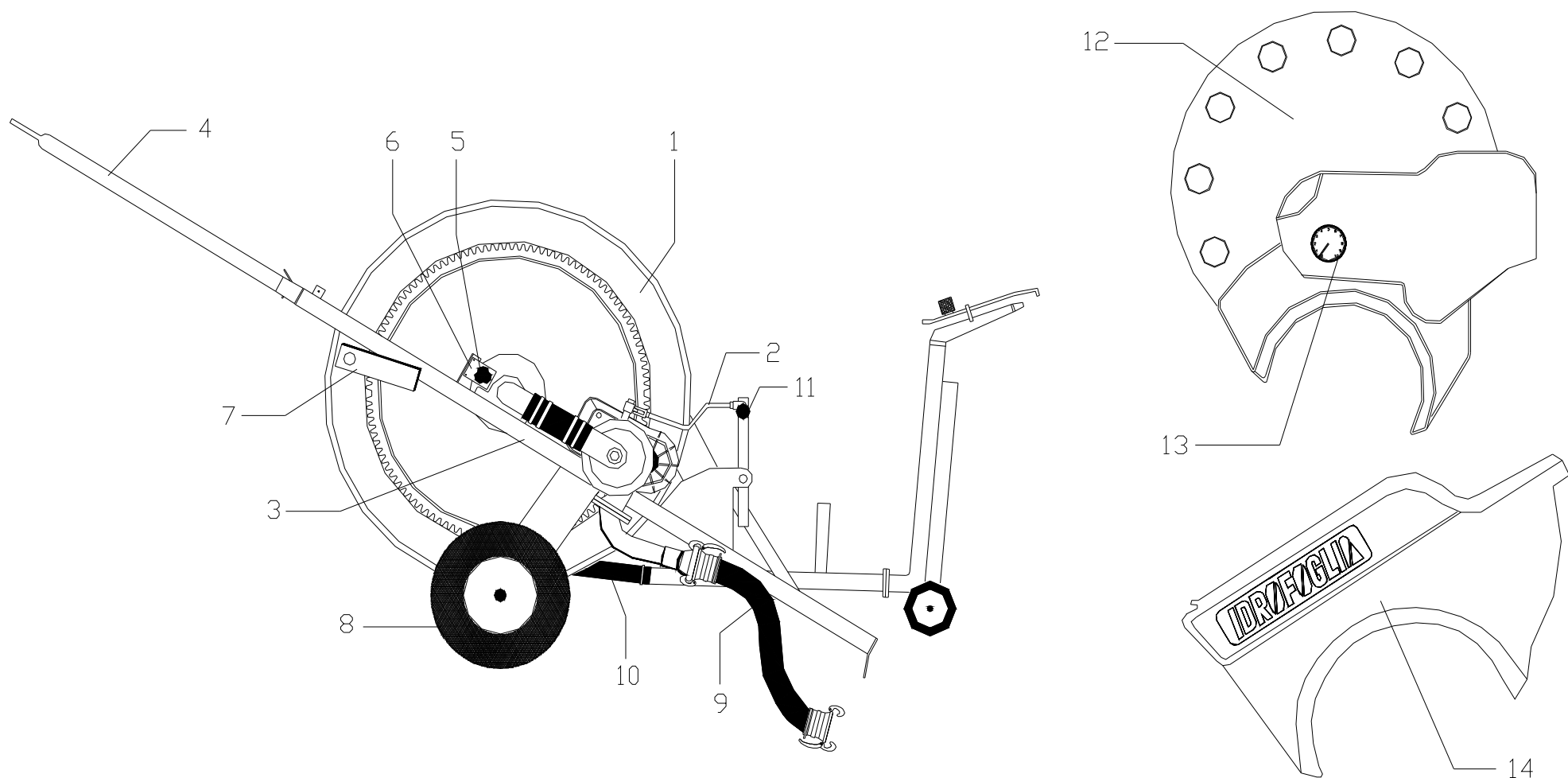
Modello / Model / Modèle / Model

Tutti / All / Tous / Allen

Particolare / Part / Part / Einzelheit

TELAIO COMPLETO / COMPLETE FRAME

CHASSIS COMPLET / KOMPL. RAHMEN





Struttura

J1

Modello / Model / Modèle / Model

Tutti / All / Tous / Allen

Particolare / Part / Part / Einzelheit

TELAIO COMPLETO / COMPLETE FRAME

CHASSIS COMPLET / KOMPL. RAHMEN

Fig.	Cod.	Q.tà	Descrizione	Description	Description	Beschreibung	Applicazione Application Applikation
1	50-01-00570	1	Rullo mod. 40	Drum mod. 40	Bobine mod. 40	Trommel Mod. 40	
2	50-01-00207	1	Leva disinnesto riduttore	Gearbox release	Débrayage réducteur	Getr. Absch. Gestänge	
3	50-01-00552	1	Telaio	Frame	Châssis	Rahmen	
4	50-01-00178	1	Timone	Tow-bar	Timon	Deichsel	
5	50-01-00298	1	Manopola freno	Brake handle	Poignée du frein	Bremsknopf	
6	50-01-00299	1	Coppia pinze freno	Brake jaws (couple)	Mâchoires de frein (couple)	Bremsbacken (Paar)	
7	50-01-00362	1	Cricchetto	Jack	Cric	Sperrklinke	
8	50-01-00262	2	Ruota 4.80/4.00-8 con perno	Wheel 4.80/4.00-8 with pin	Roue 4.80/4.00-8 avec pivot	Rad 4.80/4.00-8 mit Zapfen	
9	50-01-00601	1	Manichetta Ø48	Flexible hose Ø48	Tuyau flexible Ø48	Anspeisschlauch Ø48	
10		1	Tubo PE *	PE hose *	Tuyau en PE *	PE Rohr *	
11	50-01-00297	1	Pomello F Ø40	Hand-grip F Ø40	Bouton F Ø40	Knopf F Ø40	
12	50-01-00331	1	Carter J1 lato turbina	J1 case turbine side	Protection J1 coté turbine	J1 Gehäuse Turbinenseite	
13	50-01-00339	1	Manometro alla glicerina	Manometer	Manomètre	Manometer	
14	50-01-00689	1	Protezione catena	chain protection	protection chaîne	Kettenschutz	

* Comunicare modello e matricola della macchina / State machine model and serial number
 Spécifier modèle et numéro de série de la machine / Modell und Matrikelnummer der Maschine spezifizieren



Struttura

J1

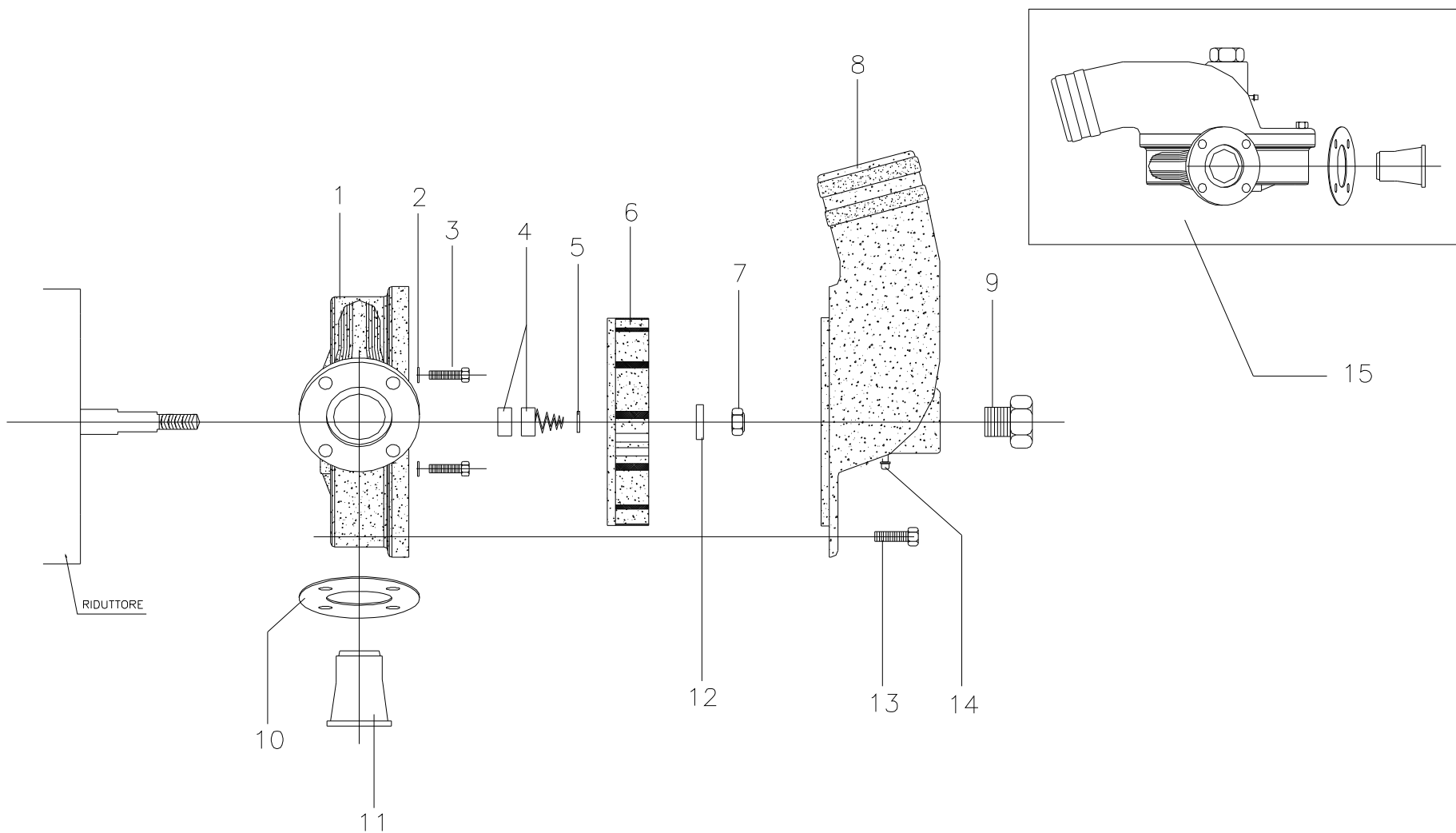
Modello / Model / Modèle / Model

Tutti / All / Tous / Allen

Particolare / Part / Part / Einzelheit

TURBINA 150/40 / TURBINE 150/40

TURBINE 150/40 / TURBINE 150/40





Struttura

J1

Modello / Model / Modèle / Model

Tutti / All / Tous / Allen

Particolare / Part / Part / Einzelheit

TURBINA 150/40 / TURBINE 150/40

TURBINE 150/40 / TURBINE 150/40

Fig.	Cod.	Q.tà	Descrizione	Description	Description	Beschreibung	Applicazione Application Applikation
1	50-01-00060	1	Cassa turbina 150	Turbine box 150	Caisse turbine	Turbinengehäuse 150	
2	50-01-00083	4	Rondella in rame Ø8	Washer Ø8	Rondelle Ø8	Scheibe Ø8	
3	50-01-00082	4	Vite 8x20	Screw 8x20	Vis 8x20	Schraube 8x20	
4	50-01-00071	1	Tenuta Roten Ø15	Roten seal Ø15	Joint Roten Ø15	Roten Gleitringdichtung Ø15	
5	50-01-00074	1	Spessore in acciaio 13x19x1	Steel washer 13x19x1	Epaisseur en acier 13x19x1	Stahling 13x19x1	
6	50-01-00063	1	Girante 150	Impeller 150	Roue tournante 150	Turbinenlaufrad 150	
7	50-01-00076	1	Dado autobloccante inox Ø10	Inox self-locking nut Ø10	Ecrou autobloquant inox Ø10	Inox Selbstbefestigungsmut. Ø10	
8	50-01-00066	1	Coperchio turbina	Turbine guard	Protection turbine	Lagerdeckel i. Gehäuse	
9	50-01-00078	1	Tappo in ottone	Brass cap	Bouchon en laiton	Kupferschraube	
10	50-01-00099	1	Guarnizione ugello turbina	Turbine nozzle gasket	Joint buse turbine	Turbinendüsedichtung	
11	50-01-00091	1	Ugello turbina	Turbine nozzle	Buse turbine	Turbinendüse	
12	50-01-00080	1	Rondella 10x30 acciaio inox	Inox washer 10x30	Rondelle inox 10x30	Inox Scheibe 10x30	
13	50-01-00635	8	Vite 8x25 T.C.E.I. + rondella Ø8	Screw 8x25 T.C.E.I. + washer Ø8	Vis 8x25 T.C.E.I. + rondelle Ø8	Schraube 8x25 T.C.E.I. + Scheibe Ø8	
14	50-01-00081	1	Valvola di scarico 1/4"	Outlet valve 1/4"	Vanne de décharge 1/4"	Unterdruckabschaltventil 1/4"	
15	50-01-00102	1	Turbina completa mod. 150/40	Complet turbine mod. 150/40	Turbine complète mod. 150/40	Turbine kompl. Mod. 150/40	



Struttura

J1

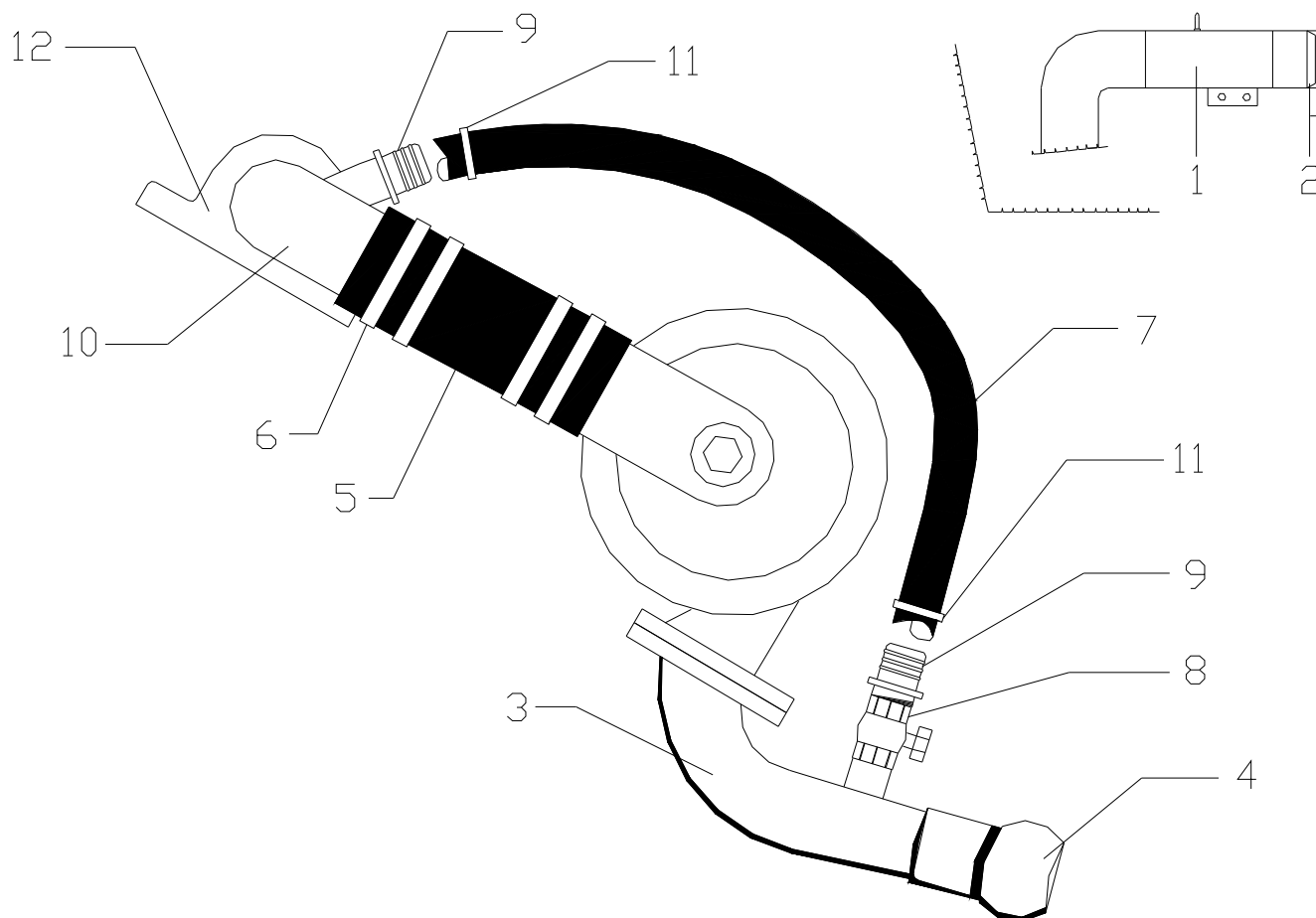
Modello / Model / Modèle / Model

Tutti / All / Tous / Allen

Particolare / Part / Part / Einzelheit

PERCORSO ACQUA / WATER PIPEWORK

PARCOURS de l'EAU / EINLAUFVERROHRUNG





Struttura

J1

Modello / Model / Modèle / Model

Tutti / All / Tous / Allen

Particolare / Part / Part / Einzelheit

PERCORSO ACQUA / WATER PIPEWORK

PARCOURS de l'EAU / EINLAUFVERROHRUNG

Fig.	Cod.	Q.tà	Descrizione	Description	Description	Beschreibung	Applicazione Application Applikation
1	50-01-00029	1	Tenuta acqua Ø40	Seal-pipe Ø40	Tube à étanche d'eau Ø40	Dichtungsrohr Ø40	
2	50-01-00037	1	Guarnizione LOM+OR 760 Ø40	LOM+OR gasket 760 Ø40	Garniture LOM+OR 760 Ø40	LOM+OR Dichtung 760 Ø40	
3	50-01-00010	1	Percorso acqua sottoturbina	Bottom pipe-work	Parcours de l'eau sous turbine	Verrohrung unter Turbine	
4	50-01-00626	1	Giunto maschio con manicotto Ø48x1¼"	Male coupling with sleeve Ø48x1¼"	Joint male avec manchon Ø48x1¼"	V-Teil Kupplung mit Anschlussmuffe Ø48x1¼"	
5	50-01-00046	mt. 0,20	Tubo in gomma Ø48	Rubber hose Ø48	Tuyau en caoutchouc Ø48	Schlauch Ø48	
6	50-01-00243	4	Fascette 40-60	Clamp 40-60	Bande 40-60	Schelle 40-60	
7	50-01-00628	mt 0,51	Tubo gomma 20x30	Rubber hose 20x30	Tuyau en caoutchouc 20x30	Schlauch 20x30	
8	50-01-00058	1	Valvola a sfera ½"	Ball valve ½"	Vanne sphérique ½"	Kugelventil ½"	
9	50-01-00630	2	Portagomma filettato Ø20x½"	Threaded coupler Ø20x½"	Raccord fileté Ø20x½"	Kupplung mit Gewinde Ø20x½"	
10	50-01-00629	1	Percorso acqua sopraturbina	Pipe work up	Parcours de l'eau sur turbine	Verrohrung über Turbine	
11	50-01-00241	2	Fascette 25-40	Clamp 25-40	Bande 25-40	Schelle 25-40	
12	50-01-00230	1	Supporto UCP 208	UCP 208 support	Palier UCP 208	UCP 208 Stehlager	



Struttura

J1

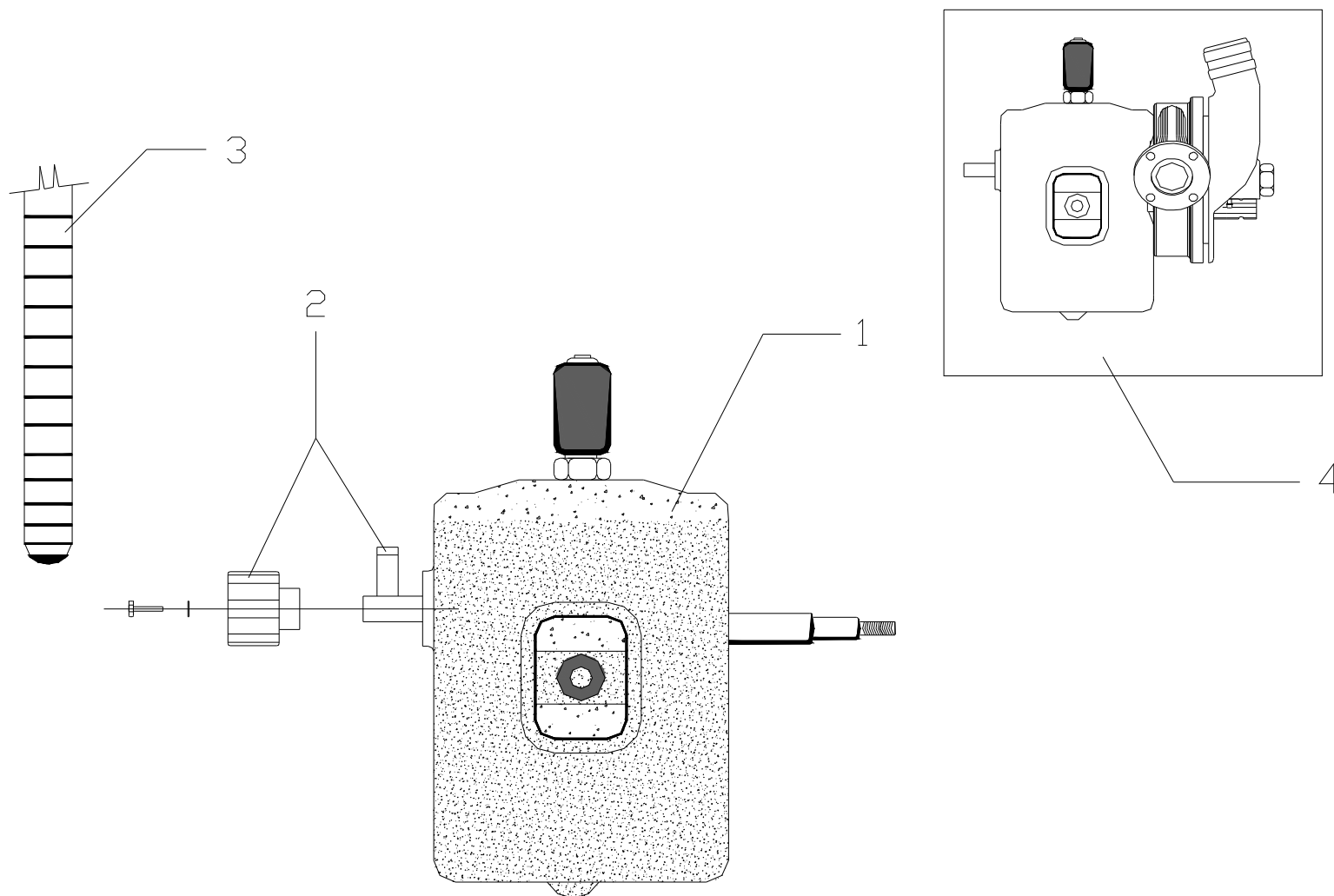
Modello / Model / Modèle / Model

Tutti / All / Tous / Allen

Particolare / Part / Part / Einzelheit

ACCOPIAMENTO RIDUTTORE - CORONA DENTATA / GEARBOX - TOOTHED CROWN ASSEMBLY

GROUP REDUCTEUR - COURONNE / GETRIEBE-KEILRIEMENSCH. - ZAHNKRANZ AGGREGAT





Struttura

J1

Modello / Model / Modèle / Model

Tutti / All / Tous / Allen

Particolare / Part / Part / Einzelheit

ACCOPIAMENTO RIDUTTORE - CORONA DENTATA / GEARBOX - TOOTHED CROWN ASSEMBLY

GROUP REDUCTEUR - COURONNE / GETRIEBE-KEILRIEMENSCH. - ZAHNKRANZ AGGREGAT

Fig.	Cod.	Q.tà	Descrizione	Description	Description	Beschreibung	APPLICAZIONE APPLICATION APPLIKATION
1	50-01-00300	1	Riduttore MP 22 senza presa cardanica	Gearbox MP 22 without cardan outlet	Réducteur MP22 sans prise de force	Getriebe MP22 ohne Kardanableitung	
2	50-01-00307	1	Pignone con chiavetta Z11 M4 Ø25	Pinion with key Z11 M4 Ø25	Pignon avec clef Z11 M4 Ø25	Antriebzahnrad Z11 M4 Ø25	
3	50-01-00317	1	Corona dentata 720	Toothed crown 720	Couronne 720	Zahnkranz 720	
4	50-01-00674	1	Turboriduttore	Gearbox+turbine	Réducteur+turbine	Getriebe+Turbine	



Struttura

J1

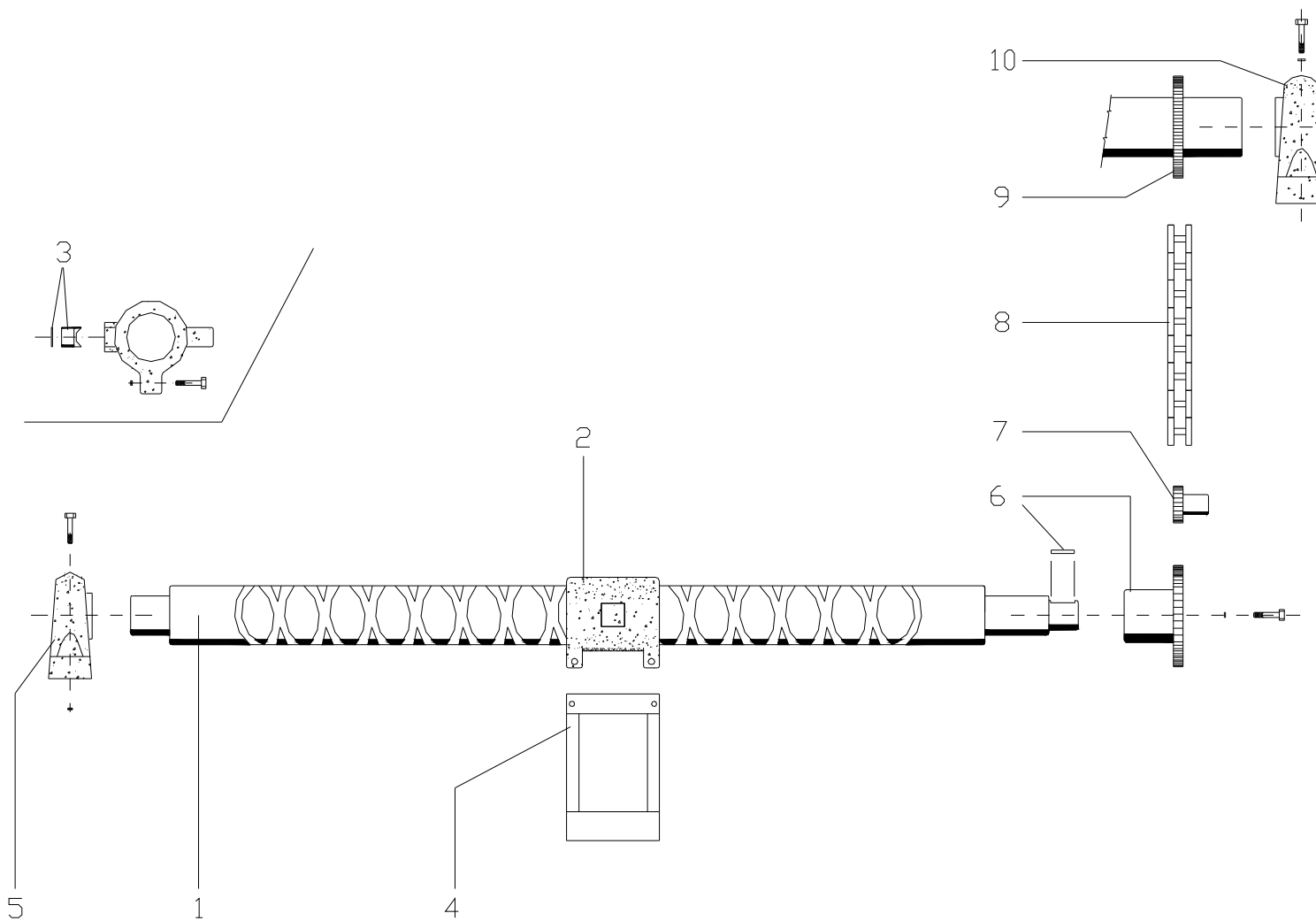
Modello / Model / Modèle / Model

Tutti / All / Tous / Allen

Particolare / Part / Part / Einzelheit

BARRA di SCORRIMENTO / SLIDING BAR

BARRE de ECOULEMENT / GLEITUNGSTANGE





Struttura

J1

Modello / Model / Modèle / Model

Tutti / All / Tous / Allen

Particolare / Part / Part / Einzelheit

BARRA di SCORRIMENTO / SLIDING BAR

BARRE de ECOULEMENT / GLEITUNGSTANGE

Fig.	Cod.	Q.tà	Descrizione	Description	Description	Beschreibung	Applicazione Application Applikation
1	50-01-00108	1	Barra di scorrimento L 830	Sliding bar L 830	Barre d'écoulement L 830	Gleitungsstange L 830	
2	50-01-00114	1	Blocco di scorrimento	Sliding block	Bloc d'écoulement	Gleitungsblock	
3	50-01-00120	1	Nottolino Ø 30	Pawl Ø 30	Taquet Ø 30	Klinke Ø 30	
4	50-01-00135	1	Supporto entrata tubo PE	PE hose inlet support	Palier entrée tuyau PE	Spulwagenrahmen	
5	50-01-00226	2	Supporto UCP 204	UCP 204 support	Palier UCP 204	UCP 204 Stehlager	
6	50-01-00166	1	Pignone 5/8 Z20 Ø40	Pinion 5/8 Z20 Ø40	Pignon 5/8 Z20 Ø40	Kettenrad 5/8 Z20 Ø40	
7	50-01-00123	1	Tendicatena 5/8	Chain stretcher 5/8	Tendeur de chaîne 5/8	Kettenspanner 5/8	
8	50-01-00124	mt. 1,45	Catena 5/8	Chain 5/8	Chaîne 5/8	Kette 5/8	
9	50-01-00148	1	Corona 5/8 Z20 Ø41	Crown 5/8 Z20 Ø41	Couronne 5/8 Z20 Ø41	Zahnkranz 5/8 Z20 Ø41	
10	50-01-00230	1	Supporto UCP 208	UCP 208 support	Palier UCP 208	UCP 208 Stehlager	



Struttura

J1

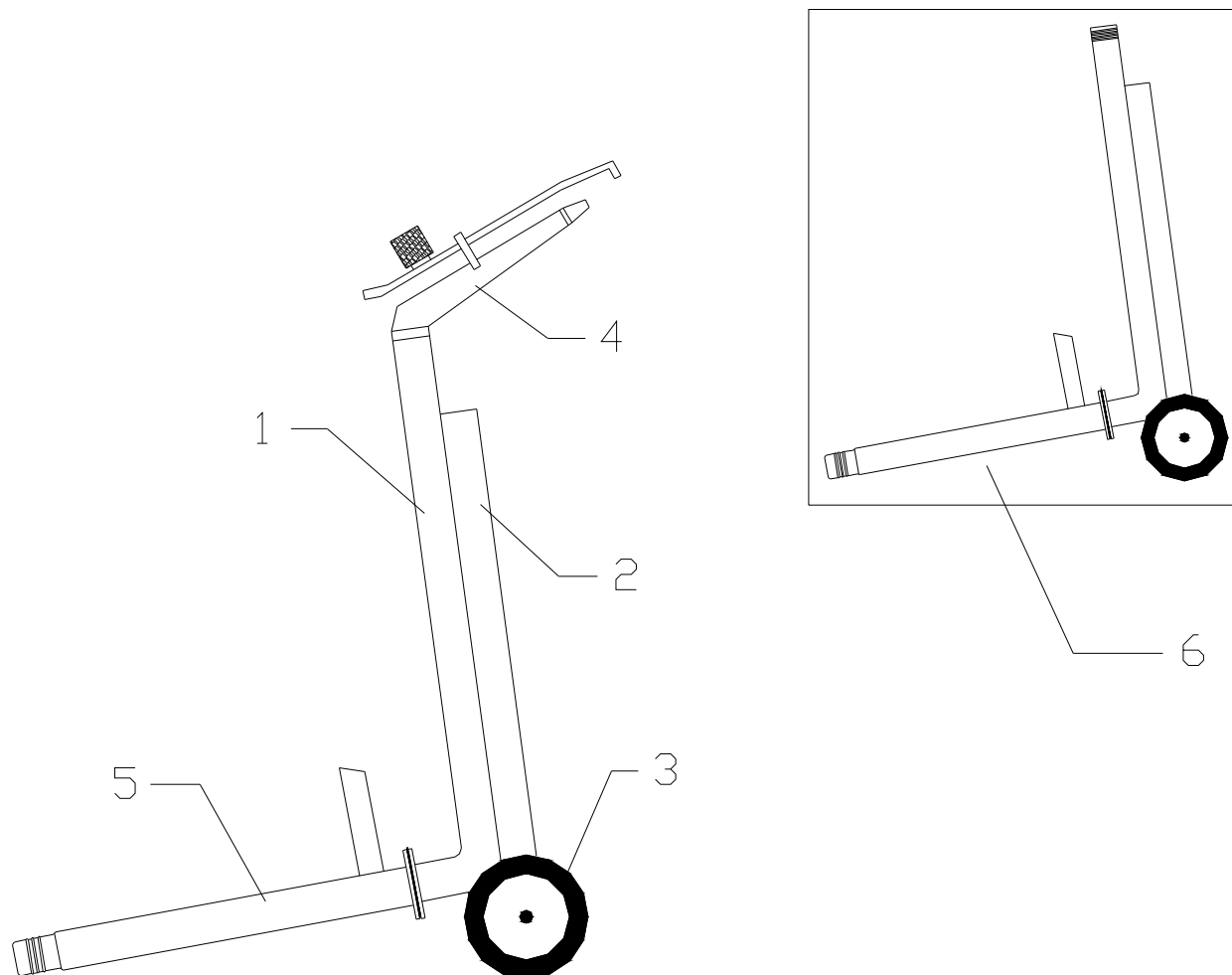
Modello / Model / Modèle / Model

Tutti / All / Tous / Allen

Particolare / Part / Part / Einzelheit

CARRELLO / TROLLEY

CHARIOT / STATIV





Struttura

J1

Modello / Model / Modèle / Model

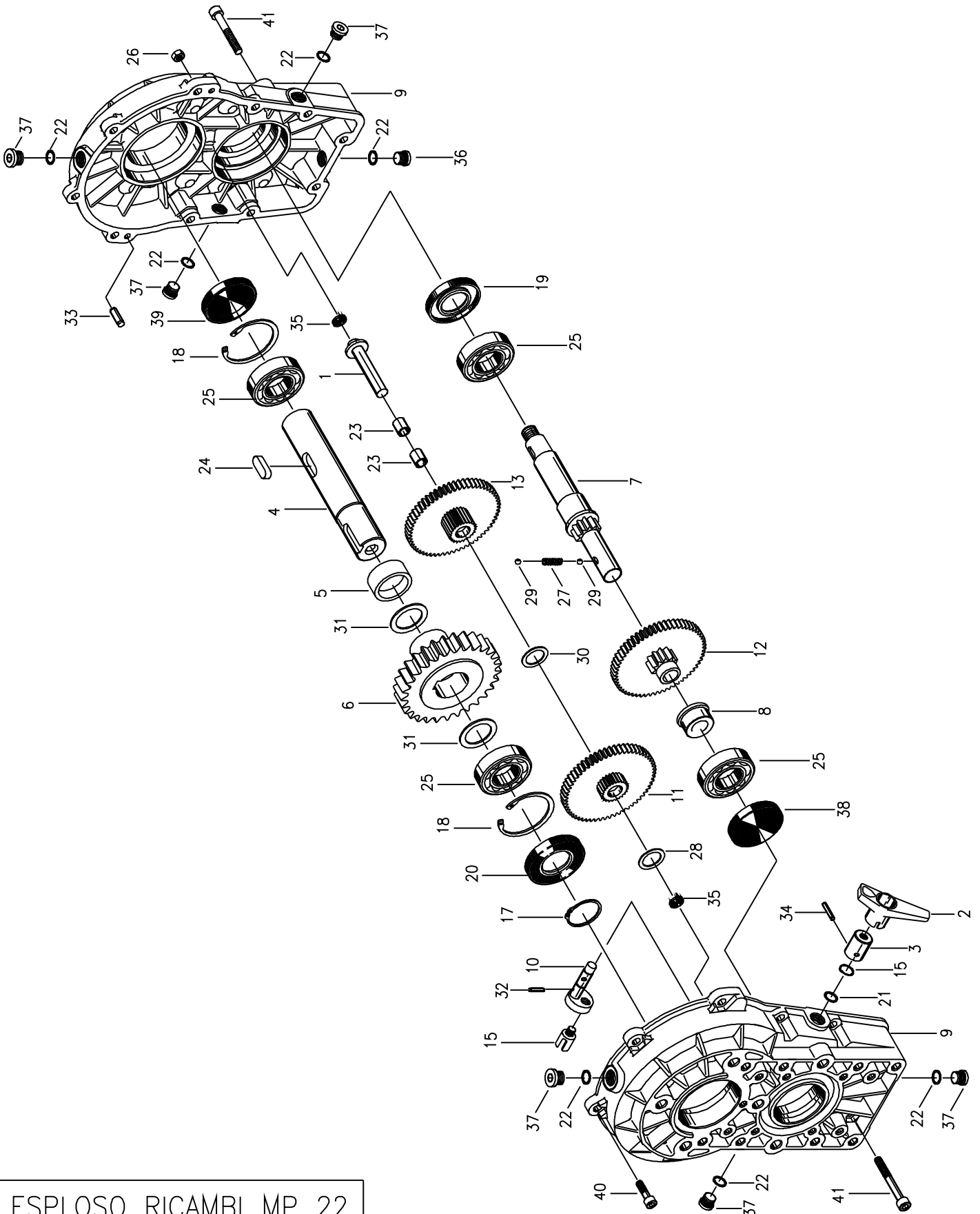
Tutti / All / Tous / Allen

Particolare / Part / Part / Einzelheit

CARRELLO / TROLLEY

CHARIOT / STATIV

Fig.	Cod.	Q.tà	Descrizione	Description	Description	Beschreibung	APPLICAZIONE APPLICATION APPLIKATION
1	50-01-00380	1	Corpo carrello	Trolley body	Châssis du chariot	Stativ Mittelrohr	
2	50-01-00372	2	Gambe carrello	Trolley legs	Pieds du chariot	Stativ Radhalter	
3	50-01-00631	2	Ruote carrello 200x50	Trolley wheels 200x50	Roues du chariot 200x50	Stativ Räder 200x50	
4	50-01-00608	1	Irrigatore K1	Sprinkler K1	Asperseur K1	Regner K1	
5	50-01-00390	1	Slitta finecorsa con bocchettone	End work slide with trolley knock-off	Ttraineau fin travail avec barre de débrayage	Schlitten mit Abschaltschaltung	
6	50-01-00422	1	Carrello completo	Complete trolley	Chariot complète	Stativ kompl.	



ESPLOSO RICAMBI MP 22
PER STRUTTURA J1

RIF. REF. REF. BEZUG	CODICE CODE CODE BESTELL.NR.	DESCRIZIONE DESCRIPTION DESCRIPTION BESCHREIBUNG	Q.TA' Q.TY Q.TE M.GE	RIF. REF. REF. BEZUG	CODICE CODE CODE BESTELL.NR.	DESCRIZIONE DESCRIPTION DESCRIPTION BESCHREIBUNG	Q.TA' Q.TY Q.TE M.GE
1	2009.085.542	ALBERO - SHAFT ARBRE - WELLE	1	37	8600.149.000	TAPPO OLIO - OIL PLUG BOUCHON - OELINFUELLSCHRAUBE 3/8"	6
2	2022.005.032	LEVA - LEVER LEVIER - HEBEL	1	38	8600.580.000	ANELLO DI TENUTA - OIL SEAL BAGUE D'ETANCHEITE' - SIMMERRING RCA 52x7	1
3	2022.007.042	MOZZETTO - HUB MOYEU - NABE	1	39	8600.670.000	ANELLO DI TENUTA - OIL SEAL BAGUE D'ETANCHEITE' - SIMMERRING RCA 62x10	1
4	2075.014.542	ALBERO - SHAFT ARBRE - WELLE	1	40	8675.213.000	VITE - SCREW BOULON - SCHRAUBE M8x25	8
5	2075.015.676	DISTANZIALE - SLEEVE ENTRETOISE - ABSTANDSSTUCK	1	41	8675.201.000	VITE - SCREW BOULON - SCHRAUBE M8x65	2
6	2075.016.442	INGRANAGGIO - GEAR ENGRENAGE - ZAHNRAD	1	42			
7	2075.020.598	ALBERO - SHAFT ARBRE - WELLE	1	43			
8	2075.021.676	BOCCOLA - SLEEVE BAGUE - BUCHSE	1	44			
9	2075.022.109	SCATOLA - HOUSING CARTER - GEHAUSE	2	45			
10	2075.025.041	LEVA - LEVER LEVIER - HEBEL	1	46			
11	2075.026.498	INGRANAGGIO - GEAR ENGRENAGE - ZAHNRAD	1	47			
12	2075.027.498	INGRANAGGIO - GEAR ENGRENAGE - ZAHNRAD	1	48			
13	2075.028.498	INGRANAGGIO - GEAR ENGRENAGE - ZAHNRAD	1	49			
14	2075.029.041	CAPPELOTTO - CAP COUVERCLE - DECKEL	1	50			
15	2094.007.042	PATTINO - PAD PASTILLE - BELAG	1	51			
16	8025.100.000	SEEGER - CIRCLIP CIRCLIP - SICHERUNGSRING D.12 E	1	52			
17	8025.255.000	SEEGER - CIRCLIP CIRCLIP - SICHERUNGSRING D.25 E	1	53			
18	8025.487.000	SEEGER - CIRCLIP CIRCLIP - SICHERUNGSRING D.62 I	2	54			
19	8050.218.000	ANELLO DI TENUTA - OIL SEAL BAGUE D'ETANCHEITE' - SIMMERRING 25x52x7	1	55			
20	8050.220.000	ANELLO DI TENUTA - OIL SEAL BAGUE D'ETANCHEITE' - SIMMERRING 25x62x7	1	56			
21	8075.122.000	ANELLO DI TENUTA - OIL SEAL BAGUE D'ETANCHEITE' - SIMMERRING OR 3050	1	57			
22	8075.200.000	ANELLO DI TENUTA - OIL SEAL BAGUE D'ETANCHEITE' - SIMMERRING OR 19x13x3	8	58			
23	8100.090.000	BOCCOLA - SLEEVE BAGUE - BUCHSE	2	59			
24	8125.235.000	CHIAVETTA - KEY CLAVETTE - KEIL 8x7x20	1	60			
25	8200.196.000	CUSCINETTO - BEARING ROULEMENT - LAGER 6305	4	61			
26	8225.249.000	DADO - NUT ECROU - MUTTER M8	10	62			
27	8375.050.000	MOLLA - SPRING RESSORT - FEDER	1	63			
28	8500.225.000	RONDELLA - SLEEVE ENTRETOISE - ABSTANDSSTUCK D.12	1	64			
29	8525.152.000	SFERA - BALL BILLE - KUGEL 7/32"	2	65			
30	8550.205.000	SPESSORE - SLEEVE ENTRETOISE - ABSTANDSSTUCK 12.2x17.9x0.5	1	66			
31	8550.325.000	SPESSORE - SLEEVE ENTRETOISE - ABSTANDSSTUCK 25x36x0.5	2	67			
32	8575.223.000	SPINA - PIN GOUPILLE - STIFT 5x16	1	68			
33	8575.267.000	SPINA - PIN GOUPILLE - STIFT 6x10	2	69			
34	8575.289.000	SPINA - PIN GOUPILLE - STIFT 6x36	1	70			
35	8600.103.000	ANELLO DI TENUTA - OIL SEAL BAGUE D'ETANCHEITE' - SIMMERRING RCA 14x4	2	71			
36	8600.135.000	TAPPO OLIO - OIL PLUG BOUCHON - OELINFUELLSCHRAUBE 3/8" R.	1	72			