

# TOF-50 / TOF-50A

Compact Portable Tractor Pump



## TOF-50

Ready to pump  
in a few seconds

### ONE OPERATOR

Pump attaches quickly, tractor does the lifting and handling

### HIGH PRESSURE

Up to **76 PSI** with a great flow range up to **145 GPM**.

### EASY CONNECTION

TOF-50 attaches directly to tractor PTO, no cardan shaft or trolley needed



### ONE OPERATOR

Pump attaches quickly, tractor does the lifting and handling

### QUICK PRIMING

Self-priming pump ready to be operative on the field in a few seconds

### EASY CONNECTION

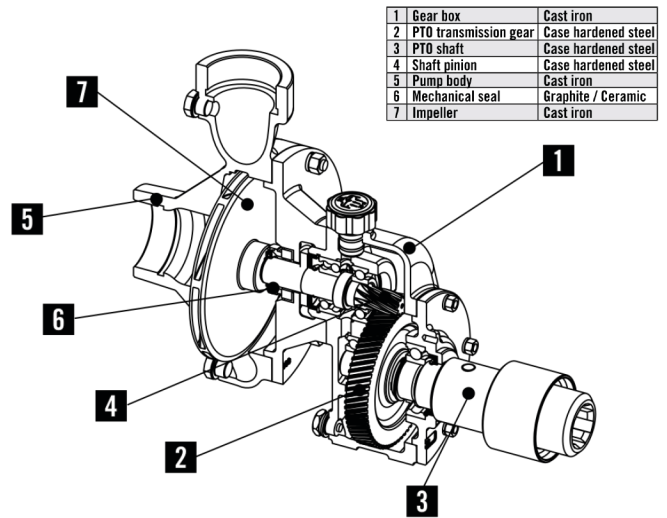
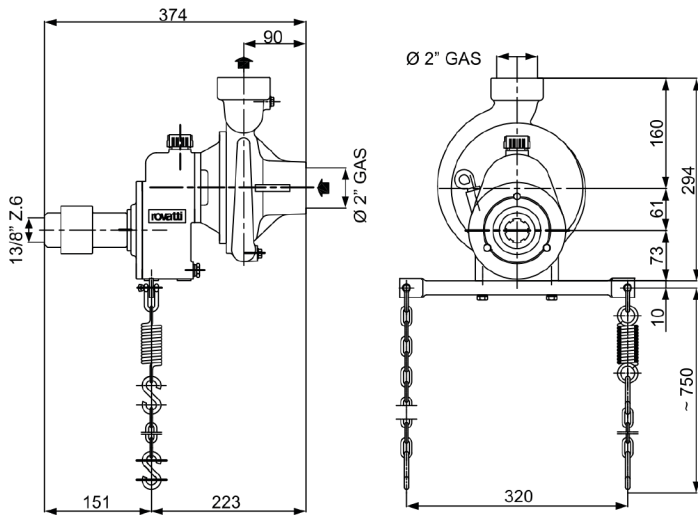
TOF-50 attaches directly to tractor PTO, no cardan shaft or trolley needed



## TOF-50A

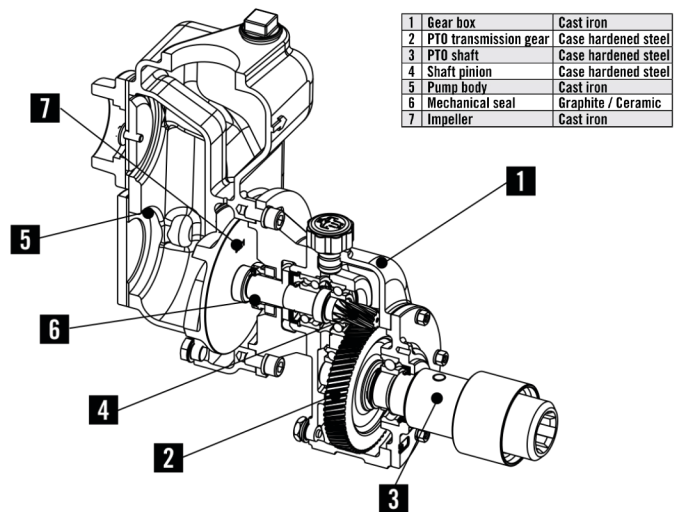
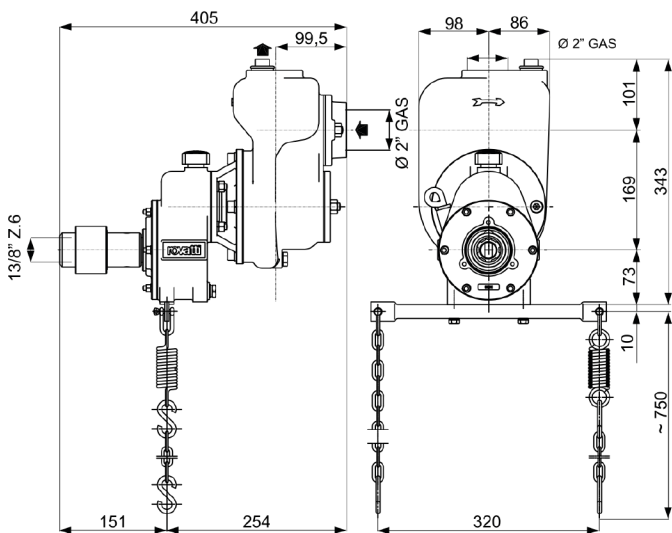
The ideal solution for liquid transfer

TOF-50	Tractor HP	Inlet x Outlet	Gear Ratio	PTO RPM	Capacity - TOF-50								
					GPM	26	53	79	93	106	119	132	145
						PSI	76	76	75	74	73	72	69
15	2" x 2"	1: 7.77	540	450	53	52	51	50	49	48	46	44	
10					65	65	63	63	61	60	58	57	
7.5					76	76	75	74	73	72	69	67	



1	Gear box	Cast iron
2	PTO transmission gear	Case hardened steel
3	PTO shaft	Case hardened steel
4	Shaft pinion	Case hardened steel
5	Pump body	Cast iron
6	Mechanical seal	Graphite / Ceramic
7	Impeller	Cast iron

TOF-50A	Tractor HP	Inlet x Outlet	Gear Ratio	PTO RPM	Capacity						
					GPM	26	53	79	93	106	119
						PSI	55	52	49	47	44
7.5	2" x 2"	1: 7.77	540	450	38	36	33	31	29	24	
7.5					47	44	42	40	37	33	
5					55	52	49	47	44	41	



1	Gear box	Cast iron
2	PTO transmission gear	Case hardened steel
3	PTO shaft	Case hardened steel
4	Shaft pinion	Case hardened steel
5	Pump body	Cast iron
6	Mechanical seal	Graphite / Ceramic
7	Impeller	Cast iron